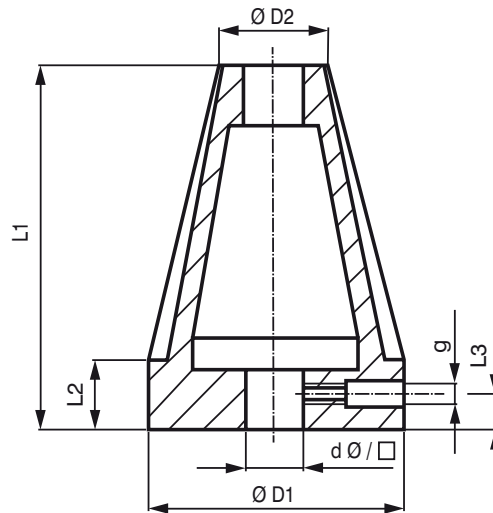


9.00 Aluminium Cones model I - VII

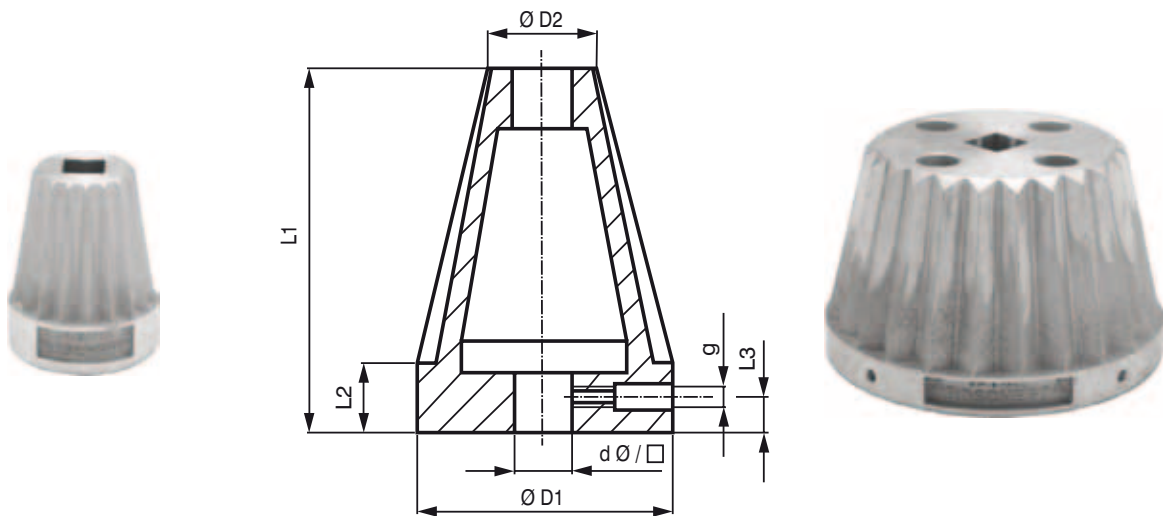


		Model				
		I	II	III	IV	
					□30	□40
Tube diameters Ø		80 - 95	70 - 80	70 - 80	55 - 120	70 - 120
d	Ø	30 - 50	30 - 50	30 - 50	30 - 35	>35 - 50
	□	30, 40	30, 40	30, 40	30	40
D1		110	90	95	130	
D2		75	65	65	50	65
L1		145	95	145	95	83
L2		40	35	35	40	
L3		20	18	18	20	
g		M10				

		Model		
		V	VI	VII
Tube diameters Ø		50 - 70	145 - 160	125 - 150
d	Ø	30 - 40	30 - 80	30 - 60
	□	30	30, 40, 50	30, 40, 50
D1		90	170	160
D2		45	140	120
L1		145	150	145
L2		35	35	35
L3		18	18	18
g		M10		

Special designs on request

Aluminium cones model VIII - XIII



		Model			
		VIII		IX	X
		□ 30	□ 40		
Tube diameters Ø		60 - 120	68 - 120	120 - 180	225 - 280
d	Ø	30 - 40	>40 - 50	30 - 70	30 - 80
	□	30	40	40, 50	40, 50
D1		130		190	290
D2		55	63	115	220
L1		185	168	185	185
L2		35			
L3		18			
g		M10			

		Model		
		XI	XII	XIII
Tube diameters Ø		275 - 330	75 - 180	165 - 215
d	Ø	40 - 100	30 - 50	30 - 60
	□	40, 50	30, 40	30, 40
D1		340	190	225
D2		270	70	160
L1		185	155	185
L2		35		
L3		18		
g		M10		

Special designs on request