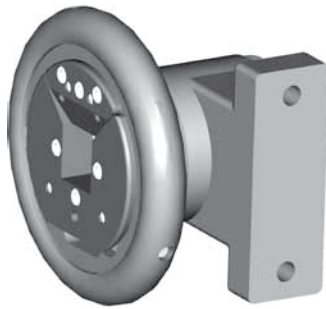
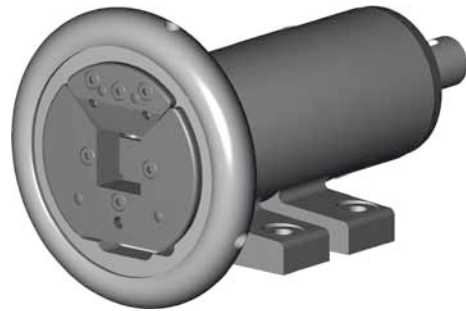


8.00 Overview Options



Foot mounted chucks for 90° mounting

Info: 8.01



Extended Chucks

Info: 8.10

Info: 8.11



Handwheel lock type I

Info: 8.30

Info: 8.31



Handwheel lock type II

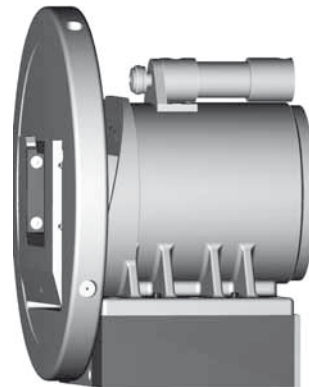
Info: 8.30

Info: 8.31



Automatic and continuous airshaft inflation

Info: 8.41



Hydraulic opening and closing

Info: 8.50



Monitoring: chuck opening positioning

Info: 8.60



Chuck with handwheel open/close recognition

Info: 8.61