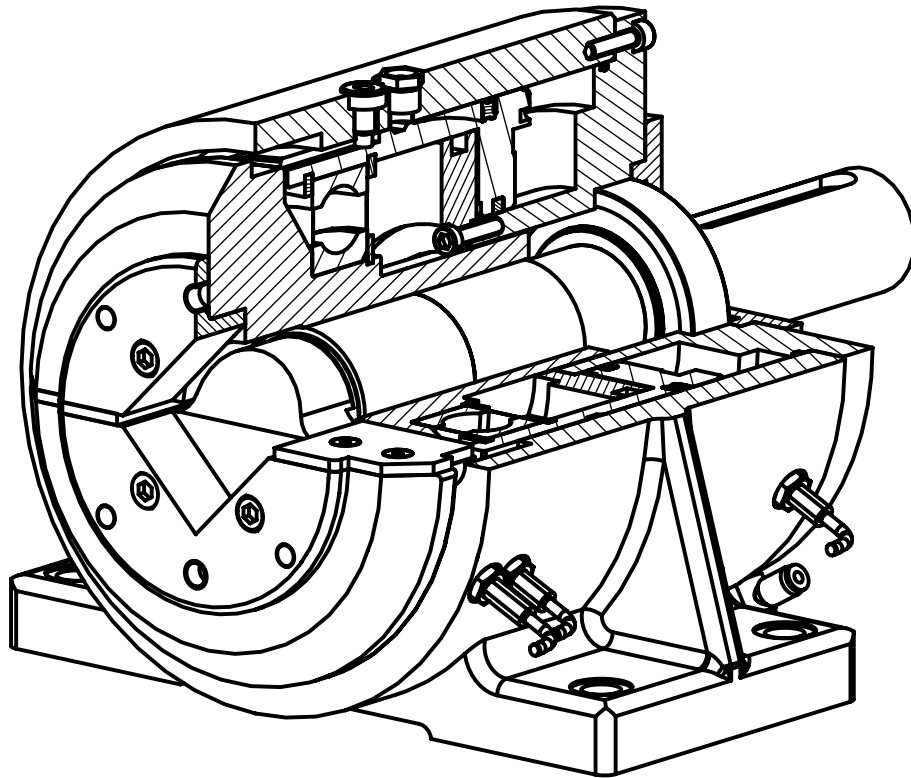
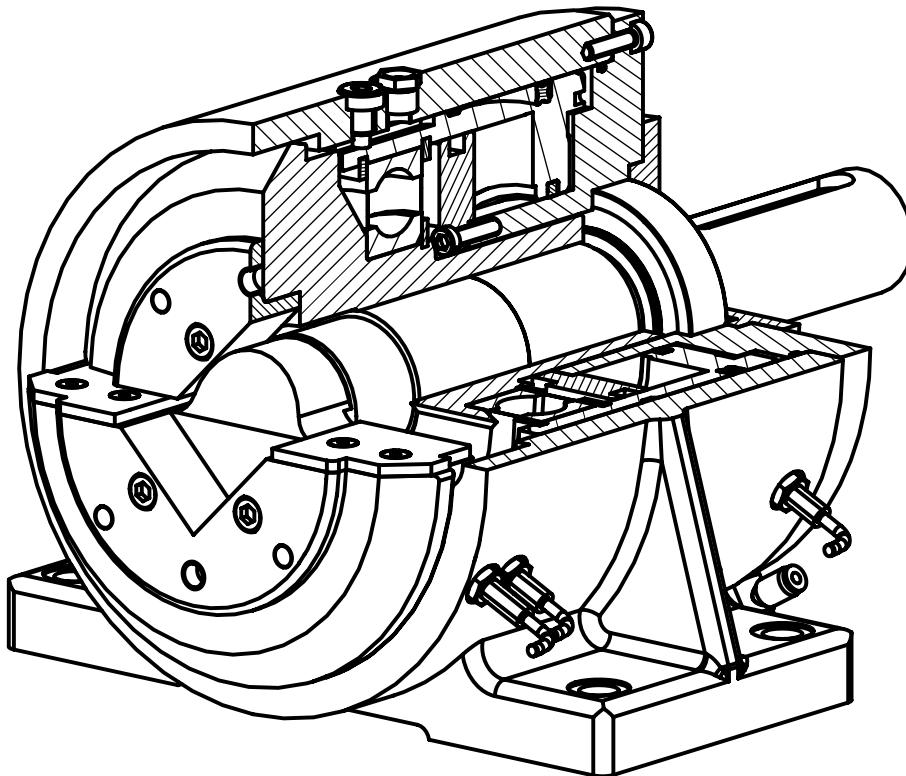


Construction Chuck type P



P-Chuck closed



P-Chuck open