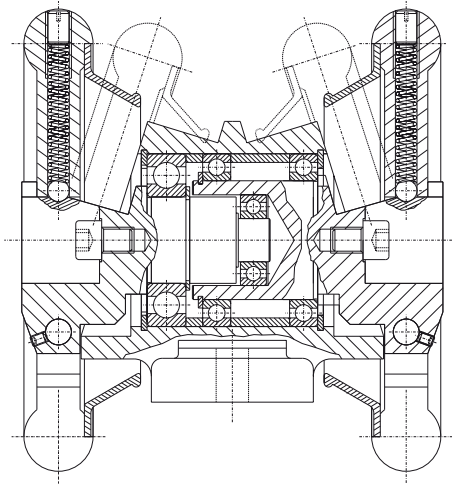
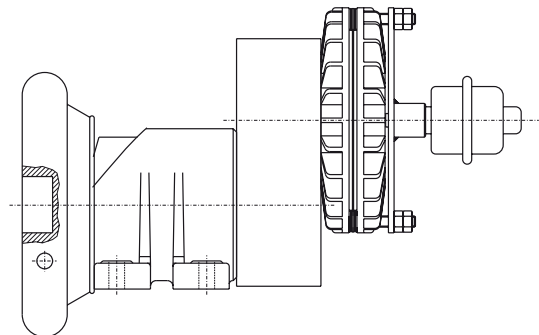


## 10.00 Overview special solutions



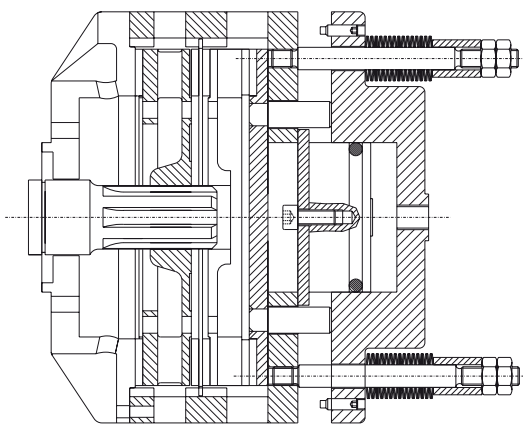
Twin STO Chucks

Info: 10.01



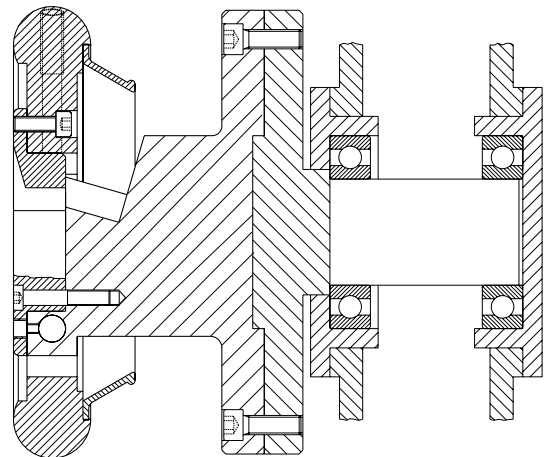
Chuck with ESB brake and  
intermediate gearbox

Info: 10.02



Spring-loaded brake

Info: 10.03



Installation of Boschert-Chucks  
in existing winding unit

Info: 10.04